



CHINET™

LED T8 Tube



Our new and revolutionary Chinet T8 4' Aluminum tube offers significant energy efficiency and lifetime improvements over fluorescent lamps. Our high-quality Chinet T8 lamps replace conventionally fluorescent lamps in existing luminaires. This Type A+B version can be used with or without ballast and can be operated with either a single-ended or double-ended power input.

Product Features

- 140 Lumens per watt
- Wattage Adjustable 12W / 15W / 18W / 20W
- CCT Adjustable 3K / 4K / 5K / 6500K
- Input Voltage 100-277Vac
- Operating Temperature -20°C to 60°C
- Alu-PC T8 tube with good heat dissipation
- Lower the stock keeping units
- Can Work with or without ballast
- Single & Double End Power
- ETL Listed
- 5 Years Warranty



SKU #	Model #	Wattage Adj.	Lumens	CCT Adj.	Lens	Power	Base	Length	Certifications
156660	ZS-T8-20P4FT-AB-CMM	12W / 15W / 18W / 20W	2800Lm	3K/4K/5K/6500K	Clear	Single & Double Ended	G13	4ft	ETL
156655	ZS-T8-20P4FT-AB-FMM	12W / 15W / 18W / 20W	2800Lm	3K/4K/5K/6500K	Frosted	Single & Double Ended	G13	4ft	ETL

Specifications

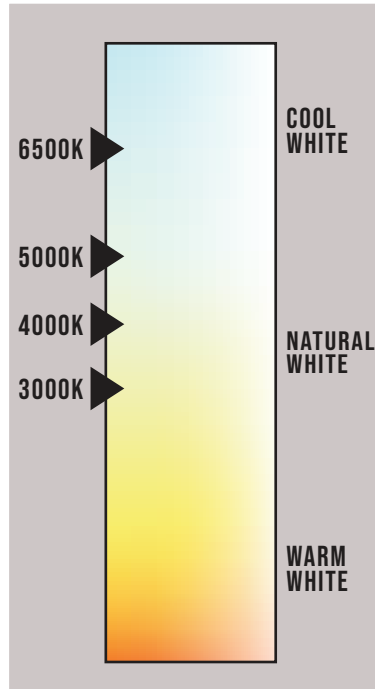
Parameter	Description	Value
General Performance	Wattage Adjustable	12W / 15W / 18W / 20W
	Lumen	2800Lm
	Lumen Efficacy	Up to 140LM/W
	Color Temperature	3000K / 4000K / 5000K / 6500K
	CRI (Ra)	>80
	Beam Angle	120° Degree
	Diffuser Type	Clear & Frosted Lens
Electrical	Input Voltage	100-277Vac
	Frequency	50/60Hz
	Dimming	N/A
	Power Factor	≥0.95
	CRI	>80
Physical	Operating Temperature	-20°C - 60°C
	Operating Humidity	/
	Storage Temperature	/
	Storage Humidity	/
	LED Brand	San'an
	LED Type	SMD2835
	LED QTY	/
Qualification	Housing Material	Aluminum+PC
	Housing Color	White
	IP Rating	IP22
	Warranty	5 Years



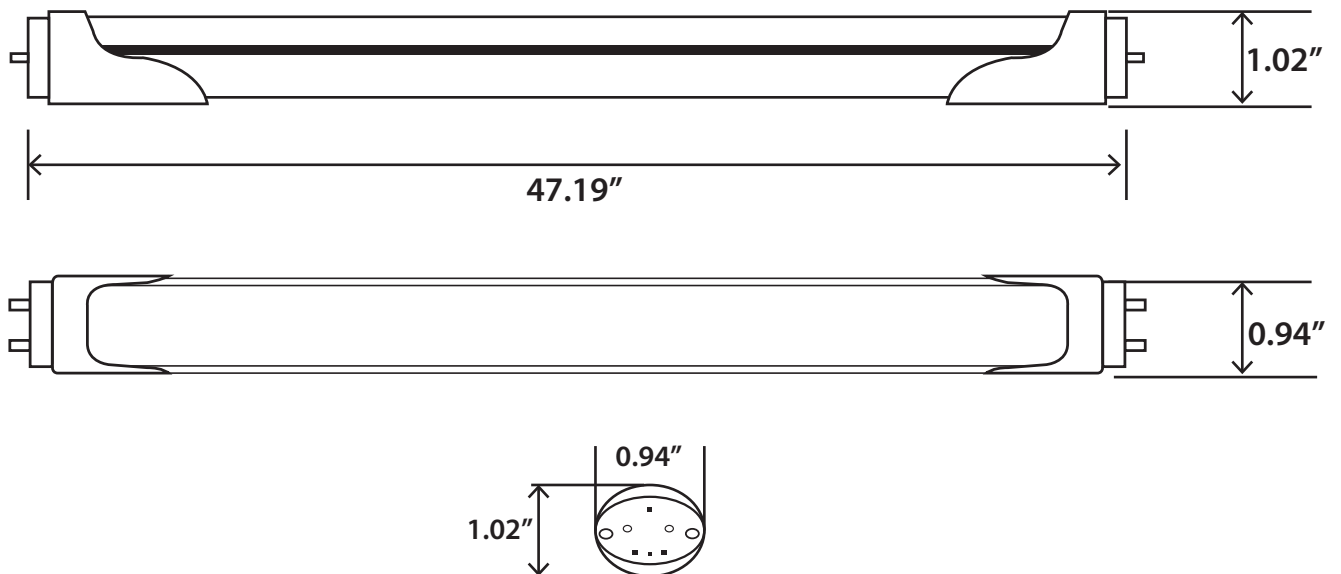
CHINET™

LED T8 Tube

Correlated Color Temperature (CCT)



Correlated Color Temperature (CCT)

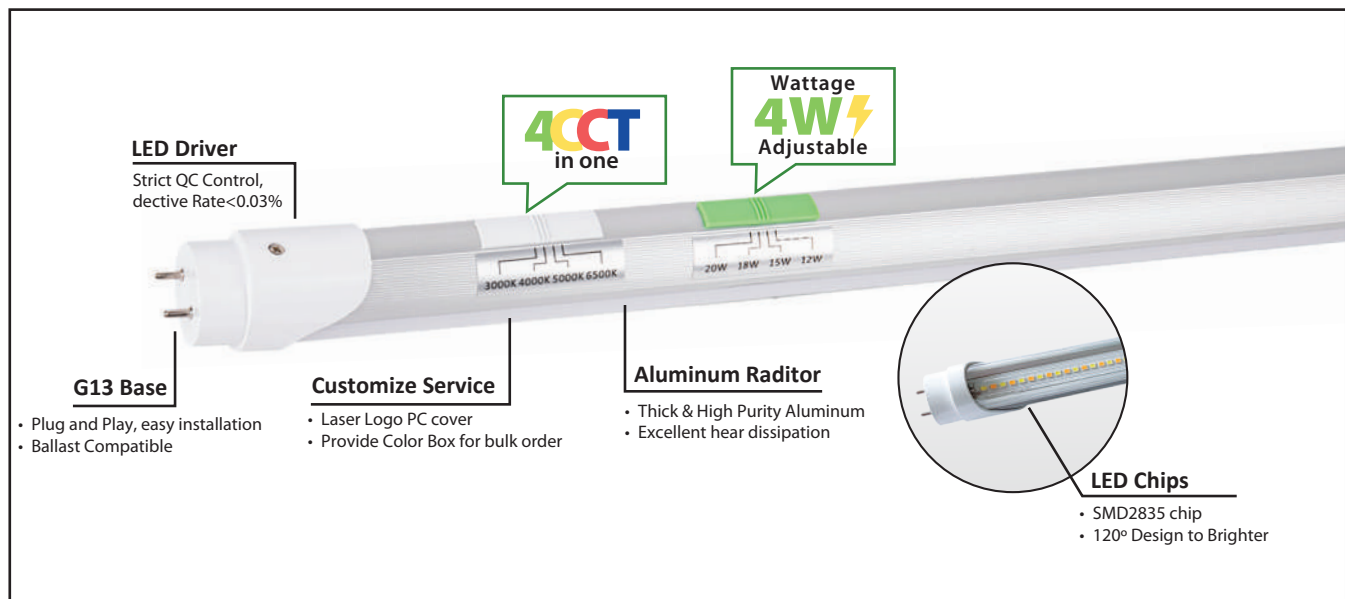
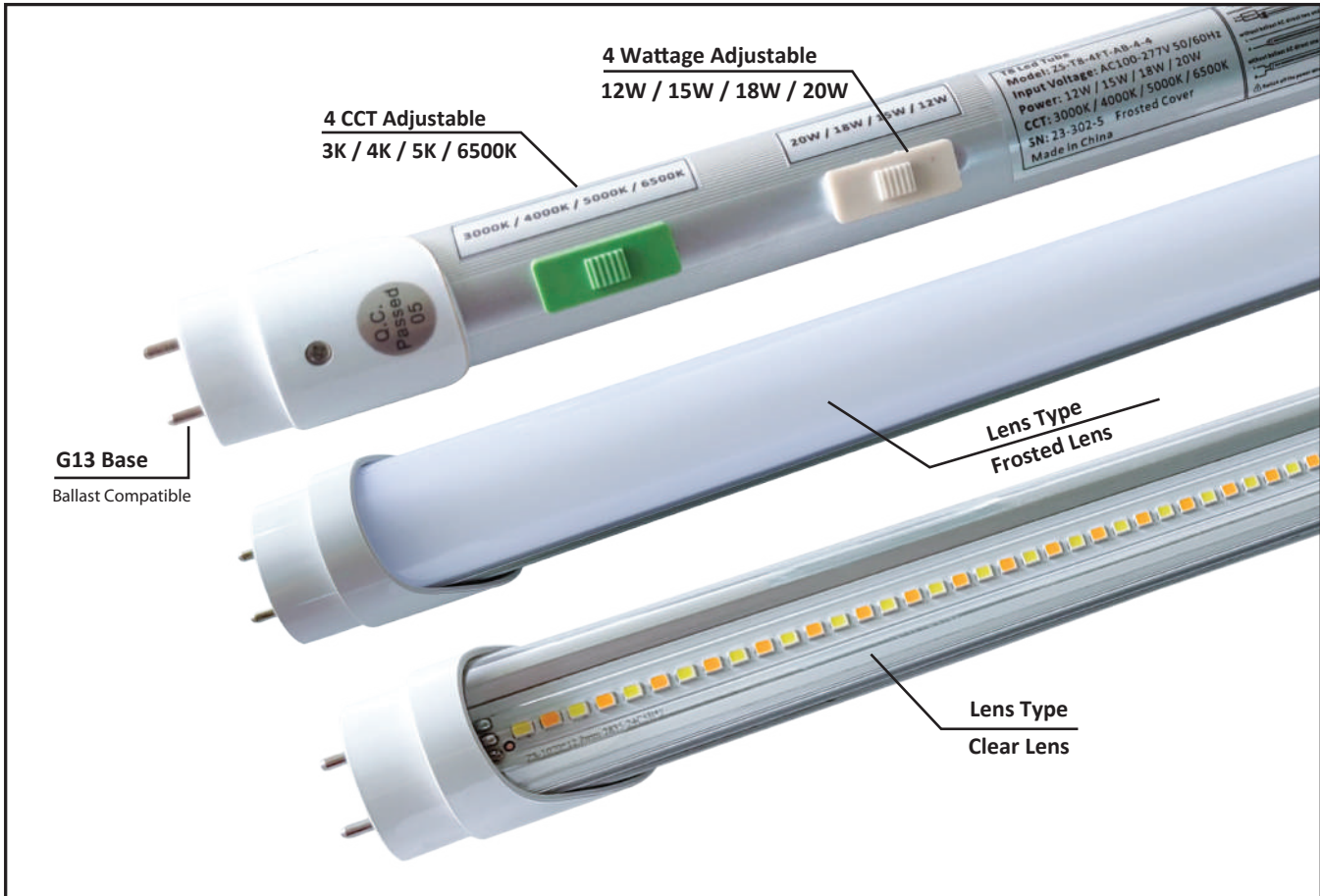


CHINET™

LED T8 Tube



Product Structure



LED T8 TUBE



CHINET™

LED T8 Tube

Photometric Data

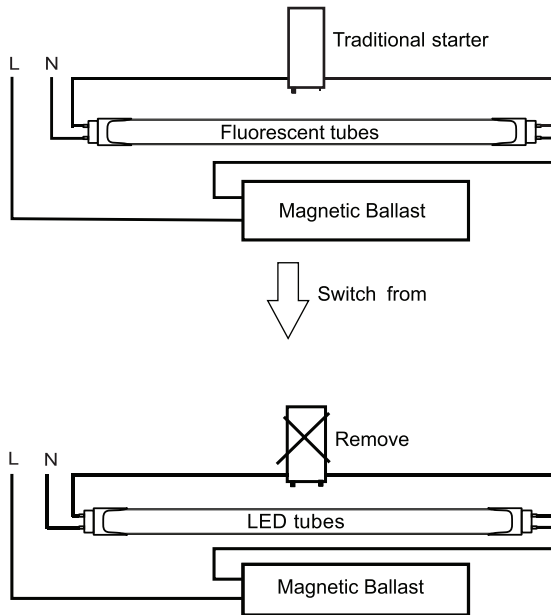
1.Replacement for magnetic ballast & electronic ballast fluorescent lamps(TypeA)

Installation steps

Magnetic ballast

professional installation is required

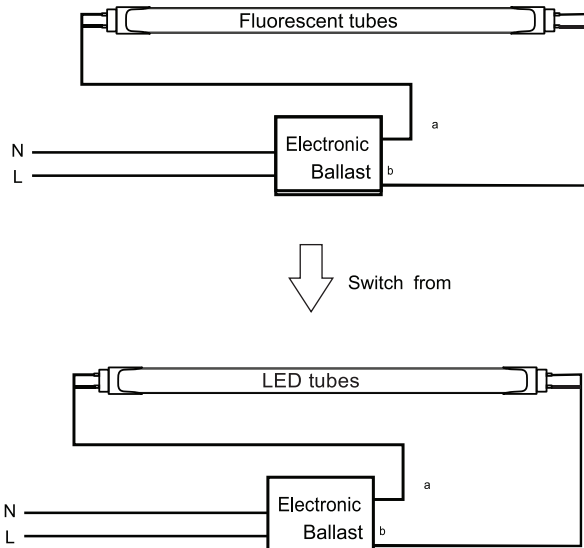
- 1:Turn off power before installation
- 2:Remove the traditional starter
- 3:Replace traditional fluorescent tube with LED tube
- 4:Switch on electricity and check for lamp starting



Electronic ballast

professional installation is required

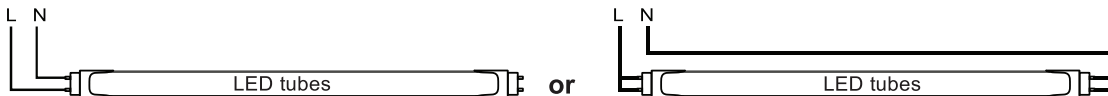
- 1:Turn off power before installation
- 2:Replace traditional fluorescent tube with LED tube
- 3:Switch on electricity and check for lamp starting



2.Replacement for bypass ballast fluorescent lamps(TypeB)

Installation Steps

- 1 : Turn off power before installation
- 2 : Cut the wire and bypass ballast
- 3 : Hookup line wires to Tombstone wires as a direct power
- 4 : Stick the warning label
- 5 : Switch on electricity and check for lamp starting



Warning: All fixture have to change with new tombstone when apply for plug and play tube.

CHINET™

LED T8 Tube



Installation

Warnings

USE ONLY FIXED LUMINAIRE WITH MIN. LAMP COMPARTMENT DIMENSIONS.

450mm x 280mm x 80mm for 1.5FT tubes; 600mm x 280mm x 80mm for 3FT tubes;
1200mm x 280mm x 80mm for 4FT tubes; 1500mm x 280mm x 80mm for 5FT tubes;
1800mm x 280mm x 80mm for 6FT tubes; 2100mm x 280mm x 80mm for 7FT tubes;
2400mm x 280mm x 80mm for 8FT tubes; 3000mm x 280mm x 80mm for 10FT tubes

UTILISER UNIQUEMENT LUMINAIRE FIXE AVEC MIN. LAMPE DIMENSIONS DU COMPARTIMENT

450mm x 280mm x 80mm for 1.5FT tubes; 600mm x 280mm x 80mm for 3FT tubes;
1200mm x 280mm x 80mm for 4FT tubes; 1500mm x 280mm x 80mm for 5FT tubes;
1800mm x 280mm x 80mm for 6FT tubes; 2100mm x 280mm x 80mm for 7FT tubes;
2400mm x 280mm x 80mm for 8FT tubes; 3000mm x 280mm x 80mm for 10FT tubes

WARNING — RISK OF FIRE OR ELECTRIC SHOCK. INSTALL THIS KIT ONLY IN THE LUMINAIRE THAT HAS THE CONSTRUCTION FEATURES AND DIMENSIONS SHOWN IN THE PHOTOGRAPHS AND/OR DRAWINGS AND WHERE THE INPUT RATING OF THE RETROFIT KIT DOES NOT EXCEED THE INPUT RATING OF THE LUMINAIRE. & AVERTISSEMENT — RISQUE D'INCENDIE OU DE CHOC ELECTRIQUE. N'INSTALLER CE NECESSAIRE QUE DANS LE LUMINAIRE DONT LES CARACTERISTIQUES DE CONSTRUCTION ET LES DIMENSIONS SONT CONFORME A CELLES ILLUSTRÉES DANS LES PHOTOS ET/OU LES DESSINS ET DONT LA PUISSANCE D'ENTREE NOMINALE DU NECESSAIRE DE MODERNISATION NE DEPASSE PAS CELLE DU LUMINAIRE.

DO NOT MAKE OR ALTER ANY OPEN HOLES IN AN ENCLOSURE OF WIRING OR ELECTRICAL COMPONENTS DURING KIT INSTALLATION. & IL EST INTERDIT DE FAIRE OU DE MODIFIER UNE OUVERTURE DANS UN BOITIER DE CABLAGE OU DE COMPOSANTS ELECTRIQUES AU COURS DE L'INSTALLATION DU NECESSAIRE.

WARNING — TO PREVENT WIRING DAMAGE OR ABRASION, DO NOT EXPOSE WIRING TO EDGES OF SHEET METAL OR OTHER SHARP OBJECTS. AVERTISSEMENT — AFIN DE PREVENIR L'ENDOMMAGEMENT OU [ABRASION DES CABLES, EVITER TOUT CONTACT ENTRE CES DERNIERS ET LE BORD D'UN OBJET TRANCHANT TEL QU'UNE TOLE.

THIS RETROFIT KIT IS ACCEPTED AS A COMPONENT OF A LUMINAIRE WHERE THE SUITABILITY OF THE COMBINATION SHALL BE DETERMINED BY AUTHORITIES HAVING JURISDICTION. PRODUCT MUST BE INSTALLED BY A QUALIFIED ELECTRICIAN IN ACCORDANCE WITH THE APPLICABLE AND APPROPRIATE ELECTRICAL CODES. THE INSTALLATION GUIDE DOES NOT SUPERSEDE LOCAL OR NATIONAL REGULATIONS FOR ELECTRICAL INSTALLATIONS. & LE NECESSAIRE DE MODERNISATION EST ACCEPTÉ A TITRE DE COMPOSANT D'UN LUMINAIRE LORSQUE LA PERTINENCE DE LA COMBINAISON DOIT ETRE DETERMINEE PAR LES AUTORITES COMPETENTES." & "CE PRODUIT DOIT ETRE MIS EN PLACE PAR UN ELECTRICIEN QUALIFIE CONFORMEMENT AUX CODES ELECTRIQUES APPROPRIES APPLICABLES. LE GUIDE D'INSTALLATION NE SUPPLANTE PAS LES REGLEMENTS LOCAUX OU NATIONAUX EN MATIERE D'INSTALLATIONS ELECTRIQUES.

WARNING — TO AVOID POTENTIAL FIRE OR SHOCK HAZARD, DO NOT USE THIS RETROFIT KIT IN LUMINAIRES EMPLOYING SHUNTED BI-PIN LAMP HOLDERS. NOTE: SHUNTED LAMP HOLDERS ARE FOUND ONLY IN FLUORESCENT LUMINAIRES WITH INSTANT-START BALLASTS. INSTANT-START BALLASTS MAY BE IDENTIFIED BY THE WORDS "INSTANT START" OR "I.S." MARKED ON THE BALLAST. THIS DESIGNATION MAY BE IN THE FORM OF A STATEMENT PERTAINING TO THE BALLAST ITSELF, OR MAY BE COMBINED WITH THE MARKING FOR THE LAMPS WITH WHICH THE BALLAST IS INTENDED TO BE USED [e.g., "F40T12/IS"]. FOR MORE INFORMATION, CONTACT THE LED LUMINAIRE RETROFIT KIT MANUFACTURER. & "AVERTISSEMENT: AFIN D'EVITER TOUT RISQUE D'INCENDIE OU DE CHOC ELECTRIQUE, NE PAS UTILISER CE NECESSAIRE DE MODERNISATION DANS UN LUMINAIRE QUI UTILISE UNE DOUILLE DE LAMPE A DEUX BROCHES SHUNTEE. NOTE: LES DOUILLES DE LAMPE SHUNTEES NE SE TROUVENT QUE DANS LES LUMINAIRES FLUORESCENTS MUNIS DE BALLASTS A ALLUMAGE INSTANTANE. LES BALLASTS A ALLUMAGE INSTANTANE PEUVENT ETRE IDENTIFIES PAR LES MOTS «ALLUMAGE INSTANTANE» OU «A.I.» [OU EN ANGLAIS "INSTANT START" OU "I.S."] INSCRITS SUR LE BALLAST. CETTE DESIGNATION PEUT ETRE SOUS FORME D'UN ENONCE CONCERNANT LE BALLAST LUI-MEME OU PEUT ETRE COMBINER AU MARQUAGE DES LAMPES AVEC LESQUELLES LE BALLAST EST DESTINE A ETRE UTILISE [p. ex., of F40T12/Al; ; ou en anglais "F40T12/ IS"]. POUR PLUS D'INFORMATION, COMMUNIQUER AVEC LE FABRICANT DU NECESSAIRE DE MODERNISATION DU LUMINAIRE A DEL."

INSTALLERS SHOULD NOT DISCONNECT EXISTING WIRES FROM LAMP HOLDER TERMINALS TO MAKE NEW CONNECTIONS AT LAMP HOLDER TERMINALS. INSTEAD, INSTALLERS SHOULD CUT EXISTING LAMP HOLDER LEADS AWAY FROM THE LAMP HOLDER AND MAKE NEW ELECTRICAL CONNECTIONS TO LAMP HOLDER LEAD WIRES BY EMPLOYING CONNECTORS SUITABLE FOR THE APPLICATION. & LES INSTALLATEURS NE DEVRAIENT PAS DEBRANCHER LE CABLAGE EXISTANT DES BORNES DE DOUILLES DE LAMPES EN VUE D'ETABLIR D'AUTRES CONNEXIONS A CES BORNES. LES INSTALLATEURS DEVRAIENT PLUTOT COUPER LES FILS DE RACCORDEMENT DES DOUILLES DE LAMPES EXISTANTS A DISTANCE DE LA DOUILLE ET ETABLIR DE NOUVEAUX BRANCHEMENTS ELECTRIQUES AUX FILS DE RACCORDEMENT DE LA DOUILLE EN UTILISANT DES RACCORDS CONVENANT A CETTE UTILISATION. THIS DEVICE IS NOT INTENDED FOR USE WITH EMERGENCY EXITS. & NE CONVIENT PAS AUX SORTIES DE SECOURS.

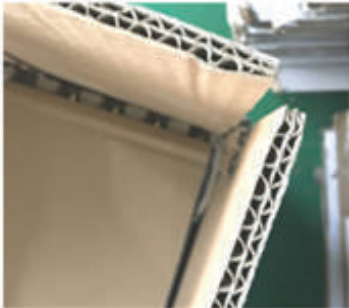
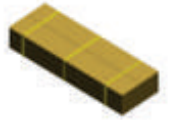
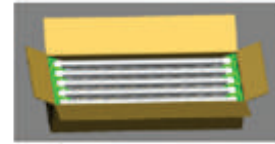
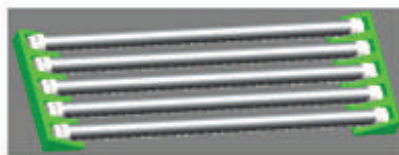


CHINET™

LED T8 Tube

Packaging

SKU	Dimension	Qty	Net Weight	Gross Weight
156660	49.21 x 8.27 x 8.27	25 Pcs	13.78 LBS	15.87 LBS
156655	49.21 x 8.27 x 8.27	25 Pcs	13.78 LBS	15.87 LBS



Thick Carton



Paperboard on the top



Good Package



Application Picture



LED T8 TUBE

Warranty

5 Years warranty